

# Anova Ceiling Fan (Wi-Fi)

FC1140BKWIFI/FC1140WHWIFI/FC1148BKWIFI/FC1148WHWIFI



This product must be installed by a licensed electrician

## Features

- Wi-Fi (No hub required)
- Energy efficient DC motor with 6 speed settings & breeze mode
- Control via physical remote (supplied) or via the app
  - Turn fan on/off & adjust speed
  - Turn light on/off, dim & adjust colour temperature (3000k to 6500k) – LED light model only
  - Set off timer for fan (either 1, 4 or 8 hours)
  - Reverse direction (for summer & winter use)
- Customizable timers & schedules for fan and/or light via the app
- Works with both Amazon Alexa and Google Assistant
- 3 year in-home warranty



FC1140BKWIFI



FC1148WHWIFI

## Network/Device Requirements

Connectivity	Wi-Fi
Requirements	Existing 2.4GHz Wi-Fi network
Protocol	IEEE 802.11 b/g/n
Wireless Frequency	2.4GHz
App Requirements	Mobile device running iOS or Android. (Refer to ikuu.com.au for minimum specs)

## Included Accessories

Remote control, 2 x AAA batteries, Wall bracket (for remote), Mounting screws

Additional accessories available, please see page 2 for listing and part numbers

## Technical Specifications

	FC1140BKWIFI/FC1140WHWIFI (no light)	FC1148BKWIFI/FC1148WHWIFI (LED light)
Supply Voltage	220 -240V a.c. 50Hz	
Standby Wattage	<2W	
Rated Power (Total)	35W	55W
	(Fan)	35W
	(Light)	20W
Fan Speed (RPM)	87(min) – 194(max)	
Max Airflow <sup>(1)</sup>	10,552m <sup>3</sup> /h	
Location Suitability	Indoor or enclosed outdoor	
Terminal Size	2.5mm <sup>2</sup>	
Colour	White/Black	
Housing Material	ABS	
Blade Material	ABS	
Weight	6.4kg	6.7kg
Dimensions (Total)	281mm x 1320mm (H x Diam)	370mm x 1320mm (H x Diam)
	(Blade)	587mm x 139mm (L x W)
	(Downrod)	152mm x 21mm (H x Diam)
Lumens <sup>(2)</sup>	-	1200lm
Colour Range (CCT)	-	Adjustable, 3000K to 6500K
CRI	-	>80
Dimmable	-	Yes <sup>(3)</sup>
Batteries (Remote)	2 x AAA	
Frequency (Remote)	433.9MHz	
Compliance / Standards	AS/NZS 4268, AS/NZS 60335.1, AS/NZS 60335.2.80, AS/NZS 60598.1, AS/NZS 60598.2.1, CISPR 14, CISPR 15	

<sup>(1)</sup> Accredited testing to U.S D.O.E airflow standards. Actual performance may vary.

<sup>(2)</sup> Average measured lumen value.

<sup>(3)</sup> This luminaire is dimmable the via app or included remote only and must not be used in conjunction with other dimmers



\*Download the app using the QR code or visit the iOS or Google Play store.

www.ikuu.com.au



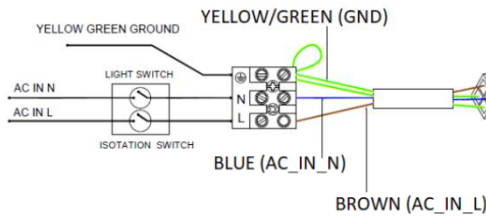


# Anova Ceiling Fan (Wi-Fi)

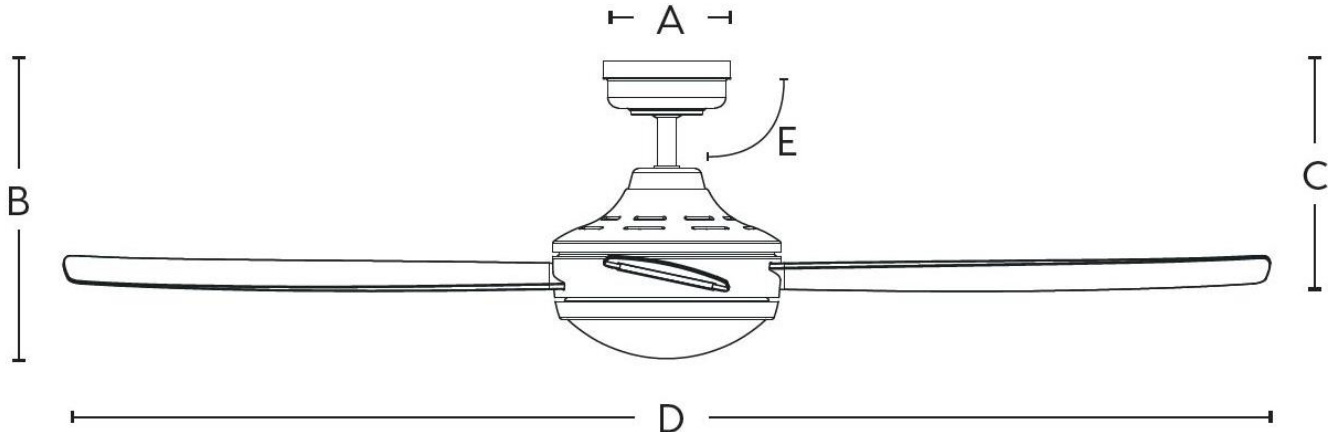
FC1140BKWIFI/FC1140WHWIFI/FC1148BKWIFI/FC1148WHWIFI

This product must be installed by a licensed electrician

## Wiring



## Dimensions

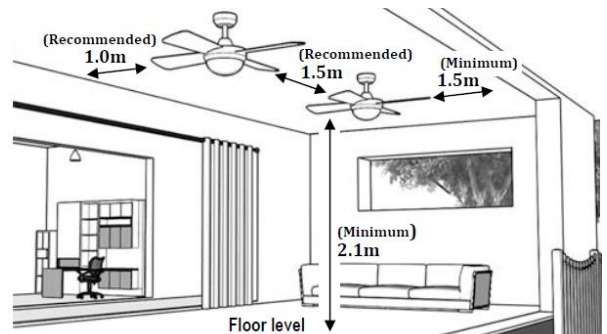


	FC1140BKWIFI/FC1140WHWIFI (no light)	FC1148BKWIFI/FC1148WHWIFI (LED light)
A (upper canopy)	140mm	
B (total height)	335mm	370mm
C (ceiling to lower blade edge)	282mm	
D (blade span)	1320mm	
E (raked pitch)	15° (max)	

## Installations Notes / Considerations

Fans shown are for illustration purposes only. Actual product may vary.

- At least 2.1m from lowest point of blades to floor surface.
- At least 1.0m from blade tip to nearest walls.
- At least 1.5m from blade tip to door, window, neighbouring fan or air conditioning outlet.



## Spare Parts & Accessories

For full list of replacement parts, please see instruction manual or contact customer service

	FC1140BKWIFI/FC1140WHWIFI (no light)	FC1148BKWIFI/FC1148WHWIFI (LED light)
Downrod - 600mm	FD360600WH	
↳ Wiring loom	XFC8283	
Downrod - 900mm	FD360900WH	
↳ Wiring loom	XFC8284	
Remote (handset only)	FRM124	
Remote & receive kit	FRMW1140	FRMW1148
Replacement blades	FL770134WH/FL770134BK	FL770134WH/FL770134BK
Diffuser	N/A	FG777134
LED panel	N/A	XFC1148

This product is valid for 3 years in-home warranty from the date of purchase. Please retain proof of purchase and certificate of compliance from the installation to make a claim. Please visit <https://www.mercator.com.au/product-support/warranty> for more information. For Mercator Ikuü contractor or end consumer support please visit [www.ikuü.com.au](http://www.ikuü.com.au) or contact our customer service team on 1300 552 255 or via email at [customercare@mercator.com.au](mailto:customercare@mercator.com.au)



\*Download the app using the QR code or visit the iOS or Google Play store.

[www.ikuü.com.au](http://www.ikuü.com.au)

