



SSW01GBC-ZB

This product must be installed by a licensed electrician

Features

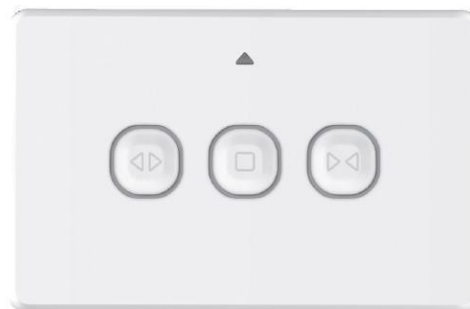
- Zigbee 3.0 compliant
- Neutral wire required
- Touch capacitive switches
- Controls blinds open, close or stop
- Blue backlight to indicate switch status
- Retrofit to standard mounting brackets
- White, UV resistant material
- Combination head screws
- Scenes and automations
- Customizable timers & schedules via the app
- Works with both Amazon Alexa and Google Assistant
- 3 year in-home warranty

Network/Device Requirements

Connectivity	Zigbee
Requirements	Mercator Ikuu Zigbee hub
Protocol	IEEE 802.15.4
Wireless Frequency	2.4GHz
App Requirements	Mobile device running iOS or Android. (Refer to ikuu.com.au for minimum specs)

Technical Specifications

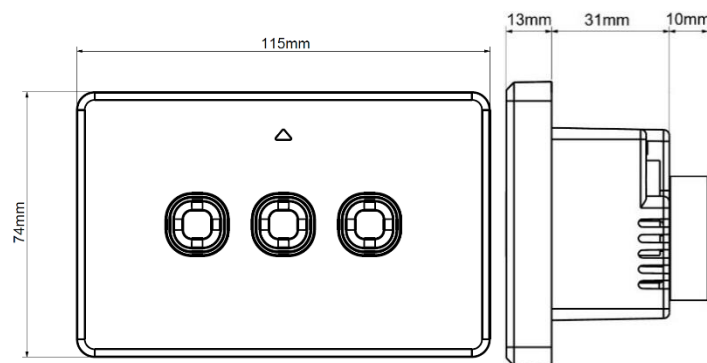
Neutral Required	Yes
Supply Voltage	230 - 250V a.c. 50Hz
Standby Wattage	<0.05W
Motor Rating	2500W (max), M50
IP Rating	IP20 (indoor use only)
Terminal Size	6mm ² (can fit up to 3 x 2.5mm ² wires per terminal)
Colour	White
Rear Colour	Yellow
Housing Material	Polycarbonate
Contact Material	Brass
Weight	150g
Dimensions	115mm x 74mm x 54mm
Cut-out Dimensions	80mm x 50mm
Mounting Centres	84mm
Compliance / Standards	AS/NZS 4268, AS/NZS 60669.1, AS/NZS 60669.2.1, CISPR 15, CISPR 32



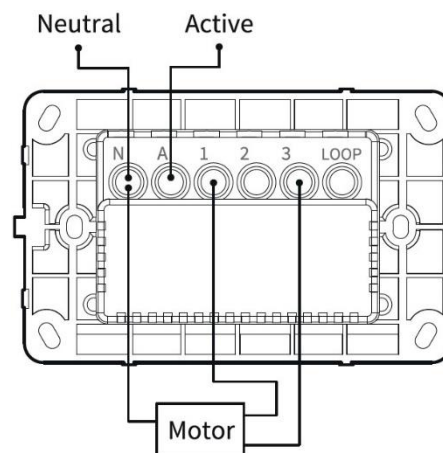
Included Accessories

Faceplate, Cut-out template, Mounting screws

Dimensions



Wiring Diagram



This product is valid for 3 years in-home warranty from the date of purchase. Please retain proof of purchase and certificate of compliance from the installation to make a claim. Please visit <https://www.mercator.com.au/product-support/warranty> for more information. For Mercator Ikuu contractor or end consumer support please visit www.ikuu.com.au or contact our customer service team on 1300 552 255 or via email at customercare@mercator.com.au



*Download the app using the QR code or visit the iOS or Google Play store.

